



### MATERIAL

Polyamide based (PA) technopolymer, black colour, glossy finish.

### PRISMATIC WINDOW

Transparent polyamide based (PA-T/AR) technopolymer. The window consists of a continuous series of prisms which provide a clear and immediate reading of the level of the oil contained in the reservoir.

### PACKING RING

NBR synthetic rubber.

### MAXIMUM CONTINUOUS WORKING TEMPERATURE

212°F (100°C) at 3 bar pressure.

### NOTE

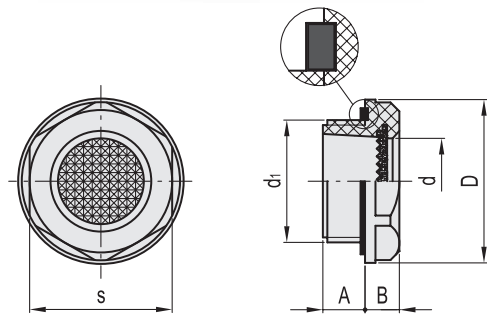
For use with fluids containing special additives, please contact ELESA Sales Department.

### ACCESSORIES ON REQUEST

Brass nut type GH. (see page 1372) for fitting to reservoirs with wall thickness smaller than 0.20 (5 mm).



ELESA Original design



**INCH**

Code	Description	d1	A	B	D	d	s	Tightening torque [ft lb]	
914462	HGFT.13/PR-1/2 NPT	1/2 NPT	0.39	0.33	1.1	0.57	0.94	4+6	0.01
914482	HGFT.16/PR-3/4 NPT	3/4 NPT	0.37	0.33	1.38	0.71	1.26	6+7	0.02
914522	HGFT.21/PR-1 NPT	1 NPT	0.43	0.37	1.67	0.91	1.5	7+9	0.03